

## D6-6-830-50

### Key features

Invisible Light  $\lambda = 830\text{nm}$   
Output Power = 50mW  
Package Type = 5.6mm $\Phi$

### Applications

General Purpose Infrared Laser Light Source  
Printer Scanner Unit & Infrared Laser Module for Industry Application  
Optical Storage & High Precision Engineering Instruments

### Electrical and Optical Characteristics at $T_c = 25^\circ\text{C}$

Item	Symbols	Min.	Typ.	Max.	Unit	Condition
Optical Output Power	Po	-	50	-	mW	-
Threshold Current	Ith	-	20	40	mA	Po=50mW
Operating Current	Iop	-	75	100	mA	Po=50mW
Monitor Current	Im	-	0.22	-	mA	Po=50mW
Operating Voltage	Vop	-	1.9	2.4	V	Po=50mW
Peak Wavelength	$\lambda_p$	820	830	840	nm	Po=50mW
Beam Divergence	$\theta_{//}$	6	9	12	deg	Po=50mW
	$\theta_{\perp}$	18	22	26	deg	Po=50mW

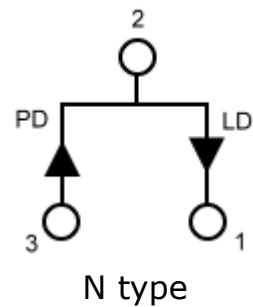
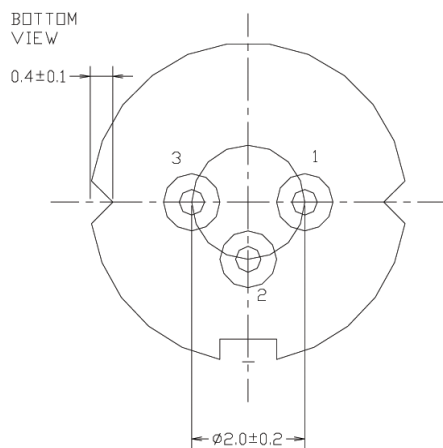
# EGISMOS IR Laser Diode

## Absolute Maximum Rating at Tc=25°C

Items	Symbols	Values	Unit
Optical Output Power	Po(CW)	50	mW
Laser Diode Reverse Voltage	V	2	V
Photo Diode Reverse Voltage	V	30	V
Operating Temperature	To	-10~+60	°C
Storage Temperature	Ts	-40~+85	°C

## Electrical Connection

## Package Type



## Package Drawing

